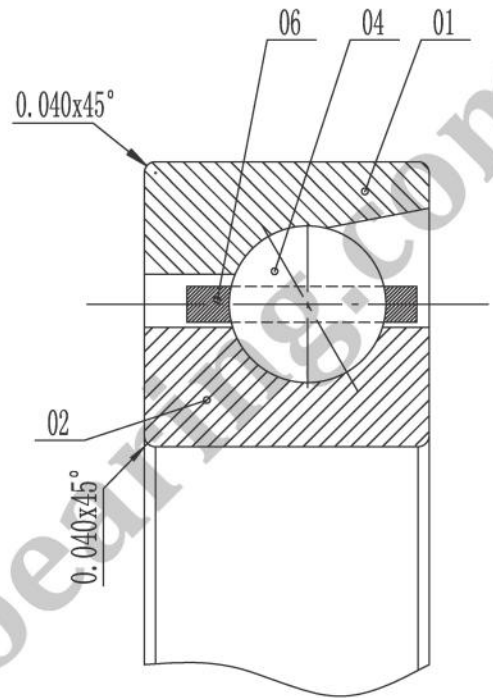


I enlarged view



INA THIN SECTION BEARING

Formal drawing of CSEB030 will be submitted after contact with:

[sales@jcb-bearing.com](mailto:sales@jcb-bearing.com) or [sales@thinsectionbearings.com](mailto:sales@thinsectionbearings.com)

| 06  | cage        |     | nylon            |   |             |        |
|---|-------------|-----|------------------|---|-------------|--------|
| 04  | steel ball  |     | AISI 52100 Steel |   |             |        |
| 02  | inner ring  | 1   | AISI 52100 Steel |   |             |        |
| 01  | outer ring  | 1   | AISI 52100 Steel |   |             |        |
| No.   | designation | qty | material         | unit                                    | total       | remark |
|   |             |     |                  | weight (lbs)                            |             |        |
| Luoyang JCB Bearing Technology Co., Ltd<br>Contact information<br>Company Address : No.285 Fenghua road, Luoyang, Henan,China.<br>Postal code : 471000<br>Phone : 0086-379-68611678 Fax : 0086-379-68611679<br>E-mail: <a href="mailto:sales@jcb-bearing.com">sales@jcb-bearing.com</a><br>Reserved E-mail: <a href="mailto:sales@thinsectionbearings.com">sales@thinsectionbearings.com</a><br>Website: <a href="http://www.jcb-bearing.com">http://www.jcb-bearing.com</a><br><a href="https://www.thinsectionbearings.com">https://www.thinsectionbearings.com</a> |             |     |                  | <b>CSEB030</b>                          |             |        |
|   |             |     |                  |   | weight(lbs) |        |
|   |             |     |                  |   | 0.22        | —      |
|   |             |     |                  | total page 1                            | page 1      |        |
|   |             |     |                  | Luoyang JCB Bearing Technology Co., Ltd |             |        |